

BAT HOUSE

D. I. Y. BUILDING PROJECT



- MATERIALS**
- 2'x4' Plywood Sheet (outdoor grade)
 - 1" x 2" x 8' Pine (furring strip)
 - 1 tube Caulk (paintable, latex)
 - 20-30 1" Screws
 - 1 qt. Exterior Paint or Stain (medium darkness, flat, water-based)

- TOOLS**
- Table saw or handsaw
 - Variable-speed drill
 - Paintbrushes
 - Tape measure or yardstick
 - Caulking Gun

STEP 1 Measure and cut wood. (fig. 1)

PLYWOOD	PINE STRIP
26½" x 24" (backboard)	2" x 24" (top)
16½" x 24" (front-upper)	2" x 20½" (side)
5" x 24" (front-lower)	2" x 20½" (side)

STEP 2 Roughen inside of backboard and landing area by cutting grooves with a sharp object or saw. Space grooves ¼" to ½" apart. (fig. 2)

STEP 3 Attach furring strips to back, caulking first. Start with 24" piece at top. (fig. 3)

STEP 4 Attach front to furring strips, top piece first (caulk first). Leave 1" vent space between upper and lower front pieces. (fig. 4)

OPTIONAL: ADD A ROOF If you'd like to provide more security, add a roof to your bat house. Attach a 1" x 4" x 28" board to the top, and feel free to with shingles or galvanized metal.

STEP 5 Apply three coats of paint or stain to the exterior (use primer for first coat).

STEP 6 Mount on the south side of a building at least 12-feet high and enjoy!

fig. 1

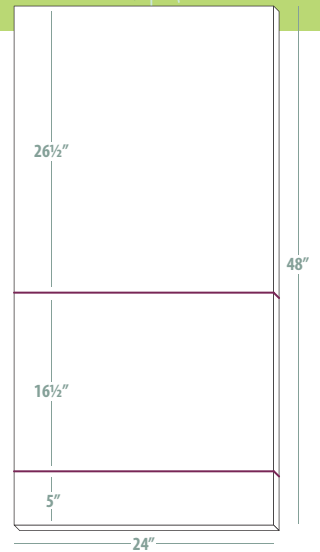


fig. 2

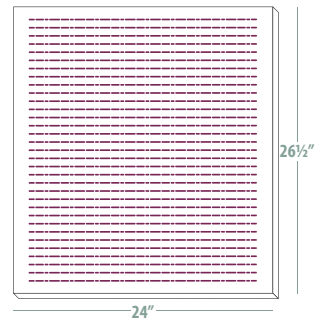


fig. 3

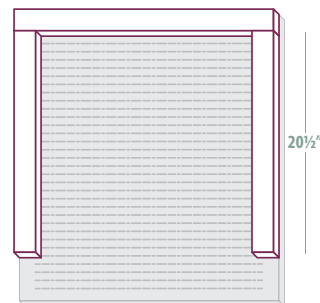
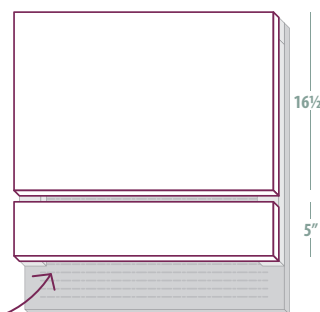


fig. 4

The bats will climb up through the small opening at the bottom.



Inspired by "The Bat House Builder's Handbook" by Merlin D. Tuttle Mark Kiser and Selena Kiser. For more information visit BatCon.org